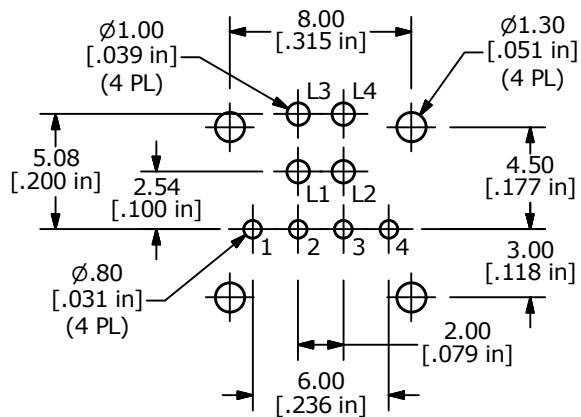
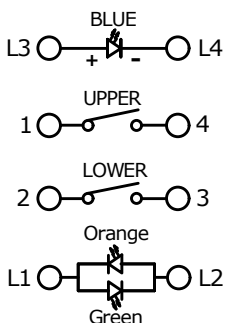


LED SPECS	UNITS	BLUE	GREEN / ORANGE
FORWARD CURRENT	mA	20	20
FORWARD VOLTAGE	V	3.3 TYP - 4.0 Max	2.1 TYP - 2.5 Max
LUMINOUS INTENSITY 20mA	mcd	1000 TYP	40 TYP / 70 TYP
DOMINANT WAVELENGTH 20mA	nm	470 TYP	567 TYP / 601 TYP

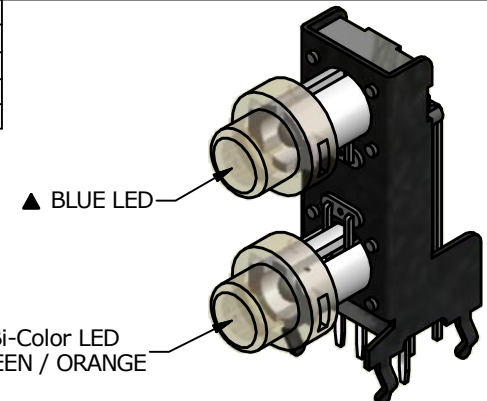
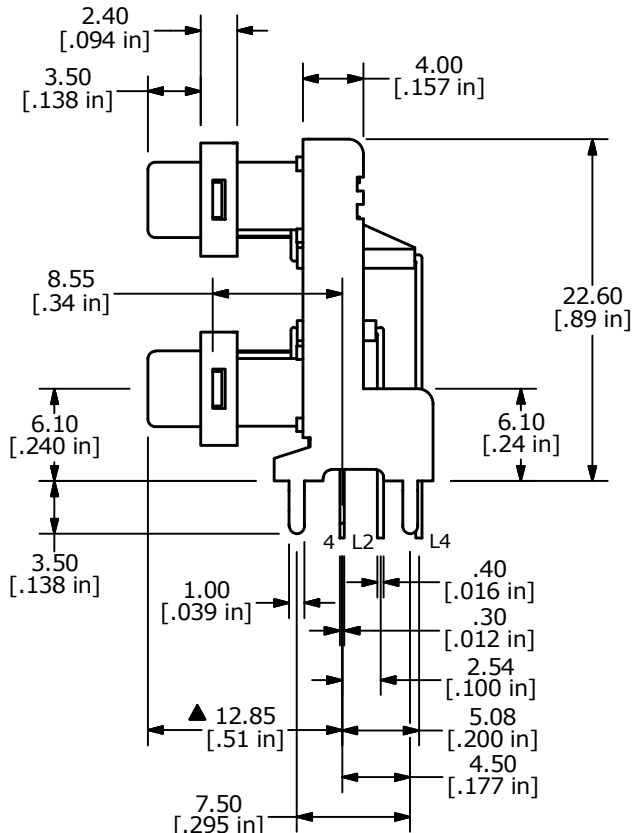
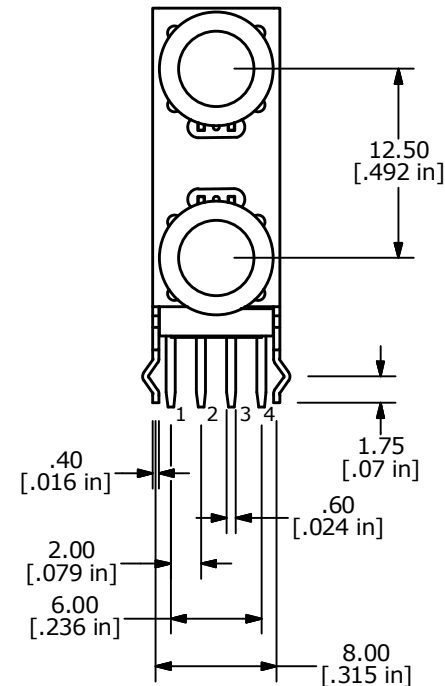
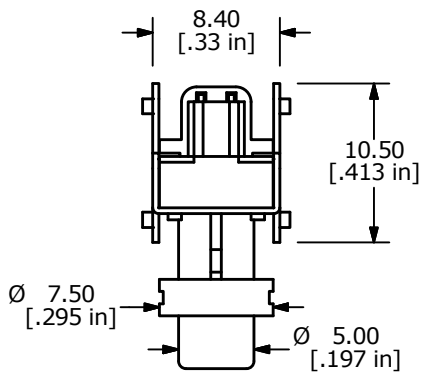


RECOMMENDED PCB LAYOUT



CIRCUIT DIAGRAM

- NOTES:
1. ALL DIMENSIONS IN MM
 2. GENERAL TOLERANCE: X.X = ±0.4
X.XX = ±0.25
 3. TERM. NUMBERS FOR REFERENCE ONLY.
 4. CONTACT RATING: 50mA @12VDC
 5. TRAVEL: 0.25 ±0.1mm
 6. CONTACT RESISTANCE: 100 Milli-Ohms Max.
 7. OPERATING FORCE: 160 ± 50gf
 - ▲ 8. CONTACT MATERIAL: SILVER
 9. MECHANICAL LIFE: 500,000 CYCLES
 10. OPERATING TEMP: -40°C to 85°C
 11. ▲ DENOTES CRITICAL PARAMETER.
 - ▲ 12. PACKAGE: TRAY/ 84 PIECES PER
 13. 2011/65/EU (ROHS) COMPLIANT



REV	PCR NO	DESCRIPTION	DATE	BY
B	22726	Added wavelength to the Table	2/14/17	MW
A	22691	RELEASE FOR PRODUCTION	2/13/17	MW

TITLE TL3253BBABGRNORGAF160Q				
SCALE	DATE	DR	DWG	REV
2:1	2/13/2017	MW	B060015	B

THE INFORMATION CONTAINED IN THIS DOCUMENT IS PROPRIETARY TO E-SWITCH AND IS NOT TO BE COPIED OR TRANSFERRED